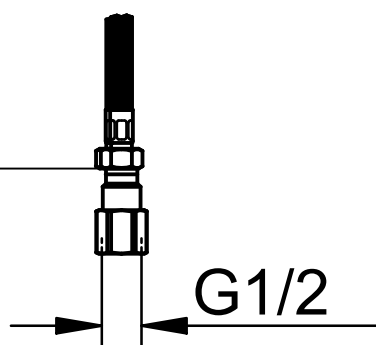



350

395



|                 |                       |                      |  |                    |  |   |
|-----------------|-----------------------|----------------------|--|--------------------|--|---|
| Maßstab / Scale | ÄM-Nr. / ECN          | 218774               |  |                    | Grohe Water Technology<br>AG & Co. KG<br>Hauptstraße 137<br>D-58675 Hemer<br>Tel. 02372 / 93-0 | <b>GROHE</b><br> |
| 1:4             | Datum / Date          | 17.08.2010           |  |                    |  |   |
|                 | Verantw. / Respons    | Stief                |  | Copyright reserved |  |   |
|                 | Geprüft / Approved    | Weil                 |  |                    |  |   |
| Status          | Benennung / Title     | EHM,WT-<br>OHM BASIN |  |                    | Zeichnung Nr. / Drawing No.:<br>32358002   |   |
|                 | Prod.-No. + variants: | 32358002             |  |                    | TPI-Referenz / TPI-Reference:<br>m32358002 3a  |   |