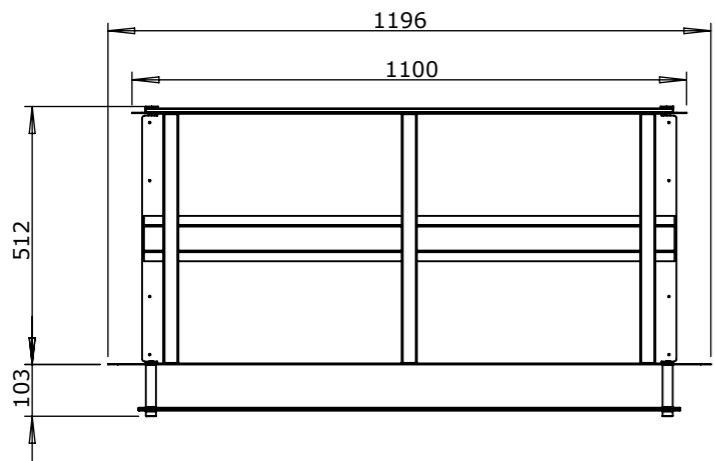
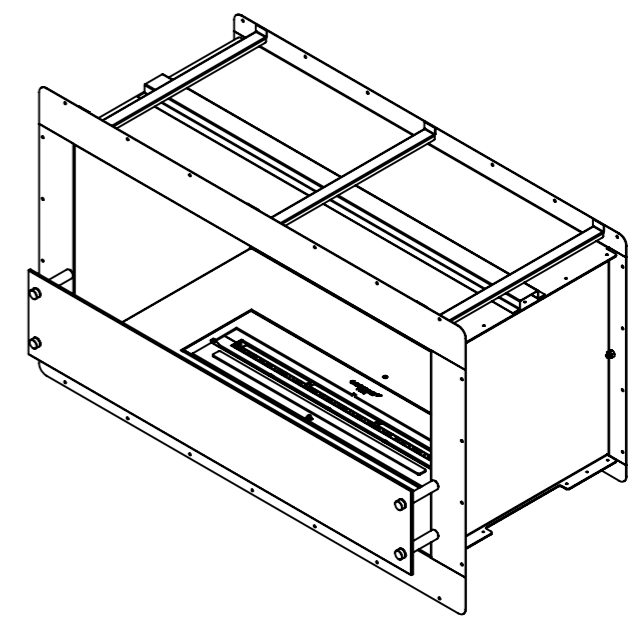


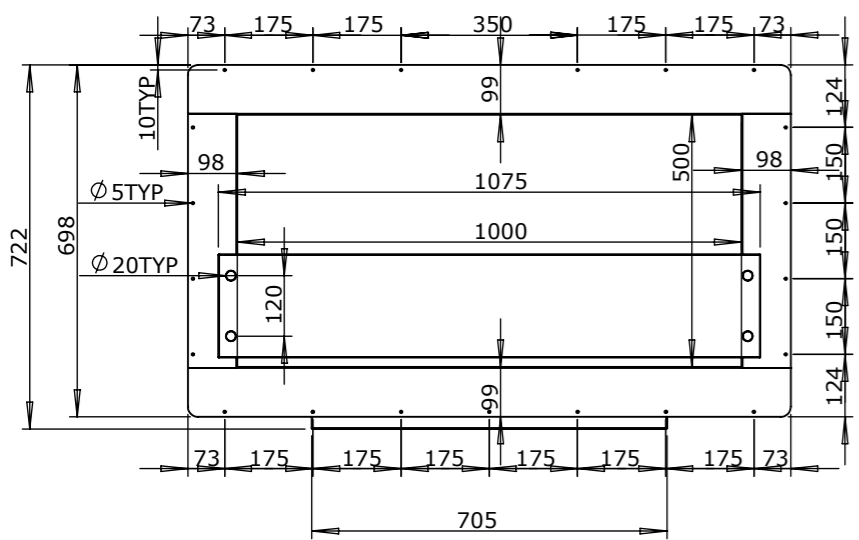
REVISIONS				
ZONE	REV.	DESCRIPTION	DATE	APPROVED
	01	INITIAL RELEASE	29/10/2015	MG



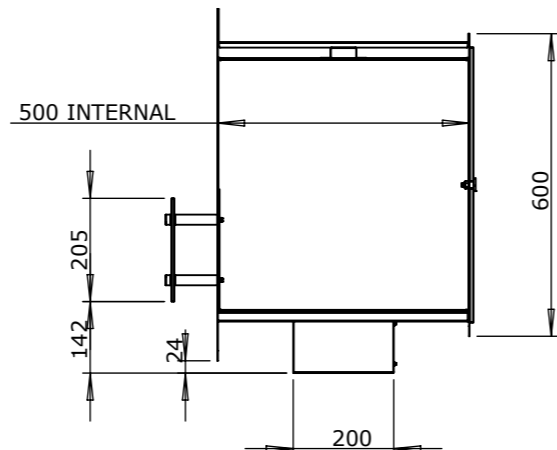
TOP VIEW



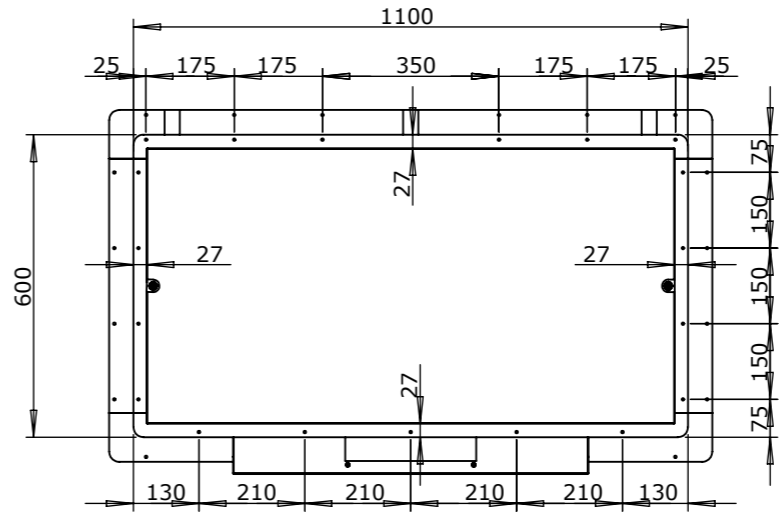
ISOMETRIC VIEW



FRONT VIEW



RIGHT SIDE VIEW



BACK VIEW

QTY PER ASSEMBLY: -
 MATERIAL: BRUSHED STAINLESS STEEL, TOUGHENED GLASS
 FINISH: -
 WEIGHT:
 SURFACE AREA: mm2

MAD Design Group Pty Ltd Showrooms 3 & 4 40-42 O'Riordan Street Alexandria NSW 2015 - Australia Tel: +61 2 9997 3050 Fax: +61 2 9997 6050 info@ecosmartfire.com www.ecosmartfire.com	DATE 29/10/2015	CLIENT ECOSMART FIRE	PROJECT ESF	PROJECT N°. FB_1000DB	
	DRAWN MG	DATE 29/10/2015	DRAWING NAME EFR1000DB FIREBOX		SHEET 1 of 1
	CHECK RS	DATE 29/10/2015	DRAWING N°. ESF_FB_1000DB_G001_R02		PART N°. - REV N°. 02
<small>COPYRIGHT RESERVED FOR: MAD DESIGN GROUP PTY LTD. REPRODUCTION / DISCLOSURE TO THIRD PARTIES IN ANY FORM WHATSOEVER NOT ALLOWED WITHOUT WRITTEN CONSENT OF PROPRIETORS.</small>		<small>GENERAL TOLERANCES UNLESS SPECIFIED OTHERWISE DIMENSIONS ARE IN MM UNLESS SPECIFIED OTHERWISE</small> SHEETMETAL/ MACHINED COMPONENTS CEMENT/ GLASS/ FOAM COMPONENTS LINEAR ±0.25 mm LINEAR ±1 mm ANGULAR ±0.5 ° ANGULAR ±0.5 °		SCALE 1:15	 THIRD ANGLE A3