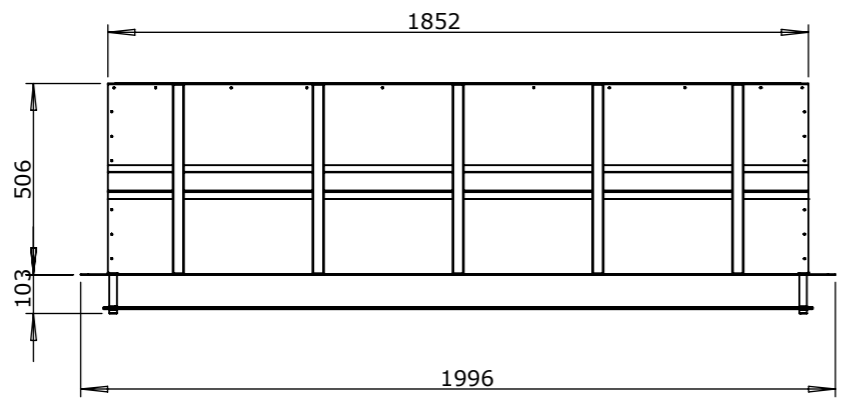
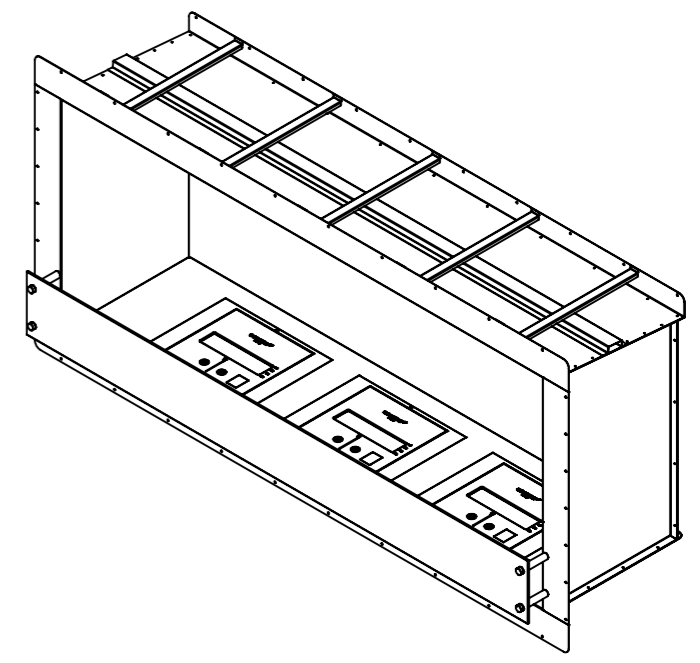


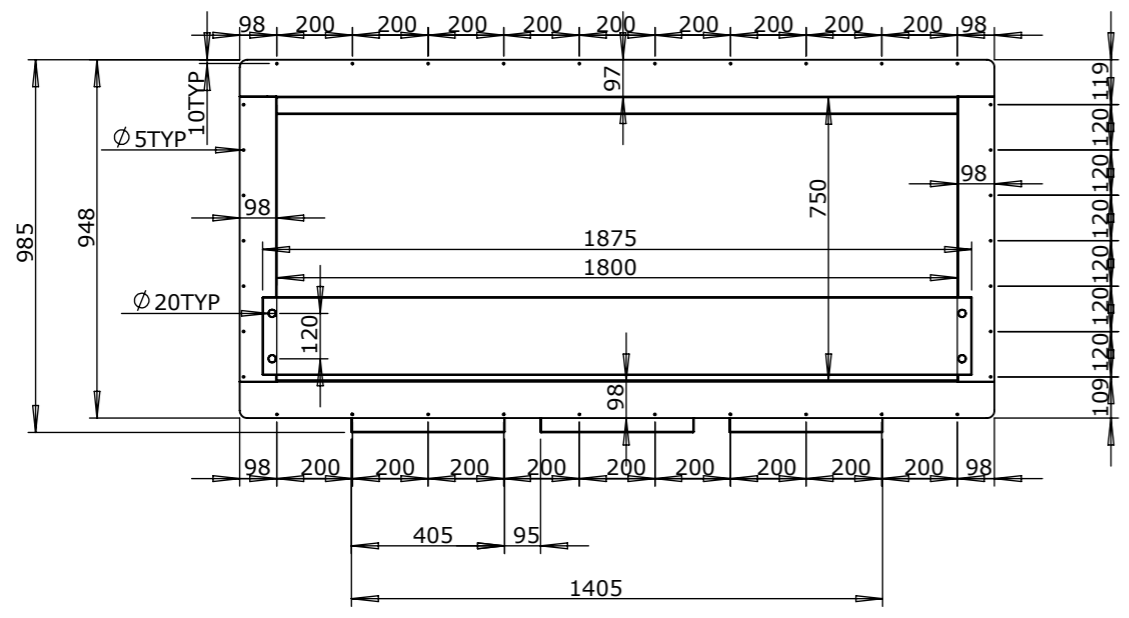
REVISIONS				
ZONE	REV.	DESCRIPTION	DATE	APPROVED
	01	INITIAL RELEASE	29/10/2015	MG



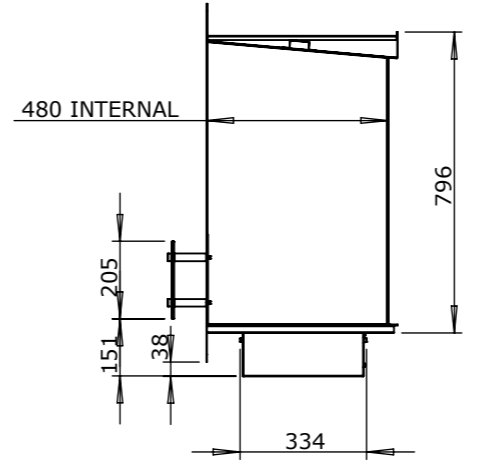
TOP VIEW



ISOMETRIC VIEW



FRONT VIEW



RIGHT SIDE VIEW

QTY PER ASSEMBLY: -  
 MATERIAL: BRUSHED STAINLESS STEEL, TOUGHENED GLASS  
 FINISH: -  
 WEIGHT:  
 SURFACE AREA: mm2

<b>MAD Design Group Pty Ltd</b>		DATE <b>29/10/2015</b>	CLIENT <b>ECOSMART FIRE</b>	PROJECT <b>ESF</b>	PROJECT N°. <b>FB_1800SS</b>
Showrooms 3 & 4 40-42 O'Riordan Street Alexandria NSW 2015 - Australia Tel: +61 2 9997 3050 Fax: +61 2 9997 6050 info@ecosmartfire.com www.ecosmartfire.com		DRAWN MG	DATE 29/10/2015	DRAWING NAME <b>EFR1800SS FIREBOX</b>	
		CHECK RL	DATE 29/10/2015	DRAWING N°. <b>ESF_FB_1800SS_G001_R04</b>	
		PART N°. -			REV N°. 04
<small>COPYRIGHT RESERVED FOR: MAD DESIGN GROUP PTY LTD. REPRODUCTION / DISCLOSURE TO THIRD PARTIES IN ANY FORM WHATSOEVER NOT ALLOWED WITHOUT WRITTEN CONSENT OF PROPRIETORS.</small>				<small>GENERAL TOLERANCES UNLESS SPECIFIED OTHERWISE DIMENSIONS ARE IN MM UNLESS SPECIFIED OTHERWISE</small> SHEETMETAL/ MACHINED COMPONENTS LINEAR ±0.25,mm ANGULAR ±0.5° CEMENTY/ GLASS/ FOAM COMPONENTS LINEAR ±1 mm ANGULAR ±0.5°	SCALE 1:20 THIRD ANGLE <b>A3</b>