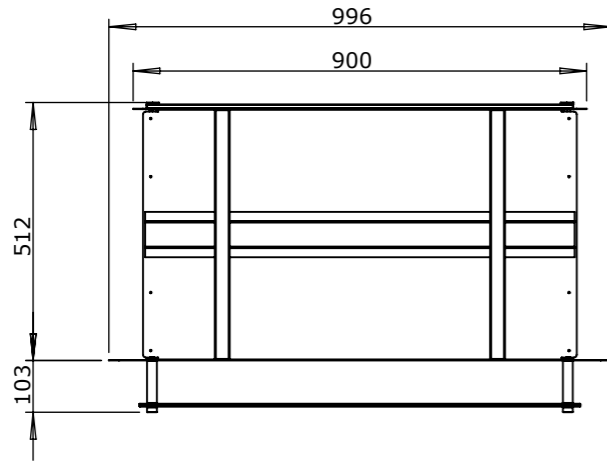
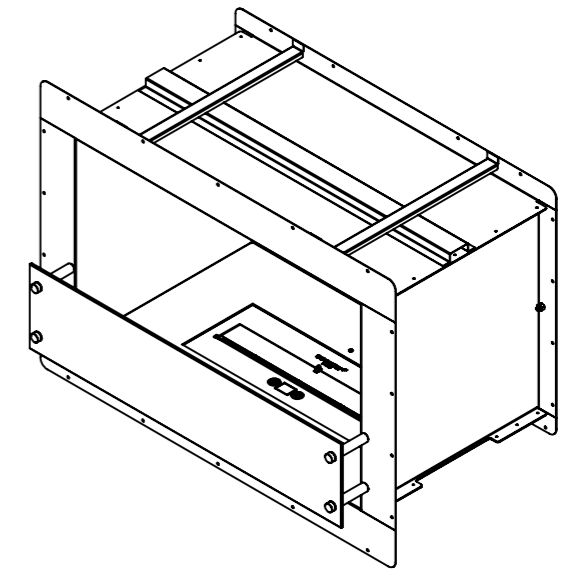


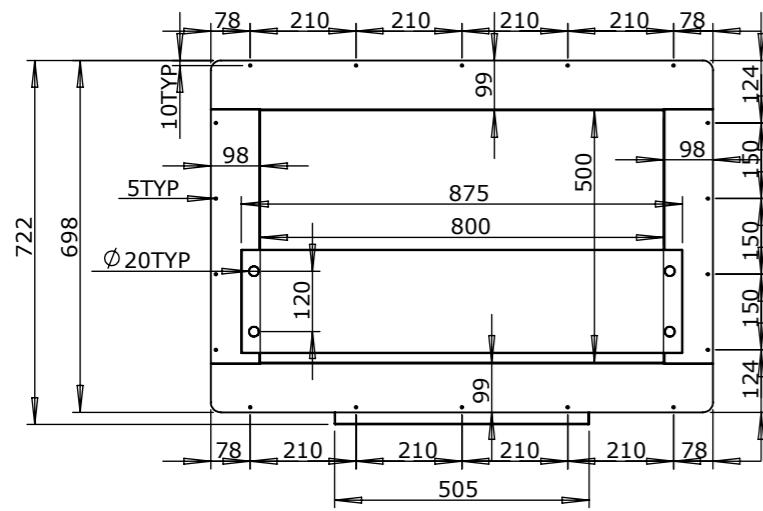
REVISIONS				
ZONE	REV.	DESCRIPTION	DATE	APPROVED
	01	INITIAL RELEASE	29/10/2015	MG



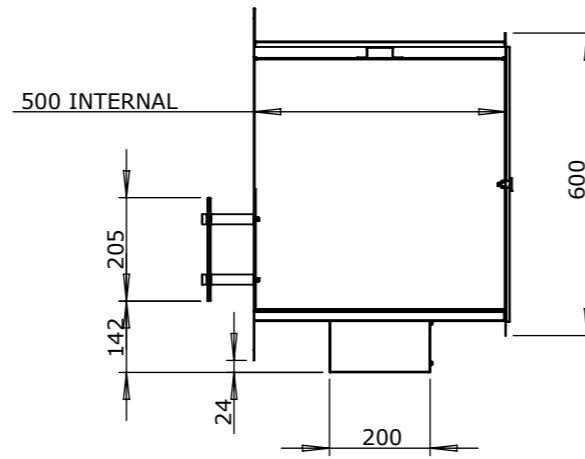
TOP VIEW



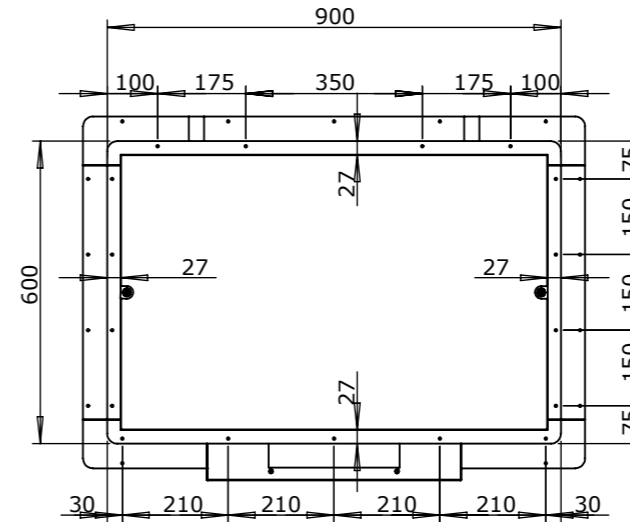
ISOMETRIC VIEW



FRONT VIEW



RIGHT SIDE VIEW



BACK VIEW

QTY PER ASSEMBLY: -  
 MATERIAL: BRUSHED STAINLESS STEEL, TOUGHENED GLASS  
 FINISH: -  
 WEIGHT:  
 SURFACE AREA: mm2

**MAD Design Group Pty Ltd**  
 Showrooms 3 & 4  
 40-42 O'Riordan Street  
 Alexandria NSW 2015 - Australia  
 Tel: +61 2 9997 3050  
 Fax: +61 2 9997 6050  
 info@ecosmartfire.com  
 www.ecosmartfire.com

DATE <b>29/10/2015</b>	CLIENT <b>ECOSMART FIRE</b>	PROJECT <b>ESF</b>	PROJECT N°. <b>FB_800DB</b>
DRAWN MG	DATE 29/10/2015	DRAWING NAME <b>EFR800DB FIREBOX</b>	SHEET 1 of 1
CHECK RS	DATE 29/10/2015	DRAWING N°. <b>ESF_FB_800DB_G001_R02</b>	PART N°. -
			REV N°. 02

COPYRIGHT RESERVED FOR: MAD DESIGN GROUP PTY LTD.  
 REPRODUCTION / DISCLOSURE TO THIRD PARTIES IN ANY  
 FORM WHATSOEVER NOT ALLOWED WITHOUT WRITTEN  
 CONSENT OF PROPRIETORS.

GENERAL TOLERANCES UNLESS SPECIFIED OTHERWISE  
 DIMENSIONS ARE IN MM UNLESS SPECIFIED OTHERWISE  
 SHEETMETAL/ MACHINED COMPONENTS    CEMENT/ GLASS/ FOAM COMPONENTS  
 LINEAR    ±0.25 mm    LINEAR    ±1 mm  
 ANGULAR    ±0.5°    ANGULAR    ±0.5°

SCALE  
1:15  
THIRD ANGLE  
**A3**