



**SCOPE  
700**



# FIREPLACE GRATES

ecosmart<sup>+</sup>  
Fire

[www.ecosmartfire.com](http://www.ecosmartfire.com)

**FIREPLACE GRATES**



<b>Designer</b>	Marc Veenendaal
<b>Application</b>	Indoor
<b>Materials</b>	Mild Steel
<b>Weight</b>	46.3kgs, 102.1lbs
<b>Colour</b>	Black Powder-Coat

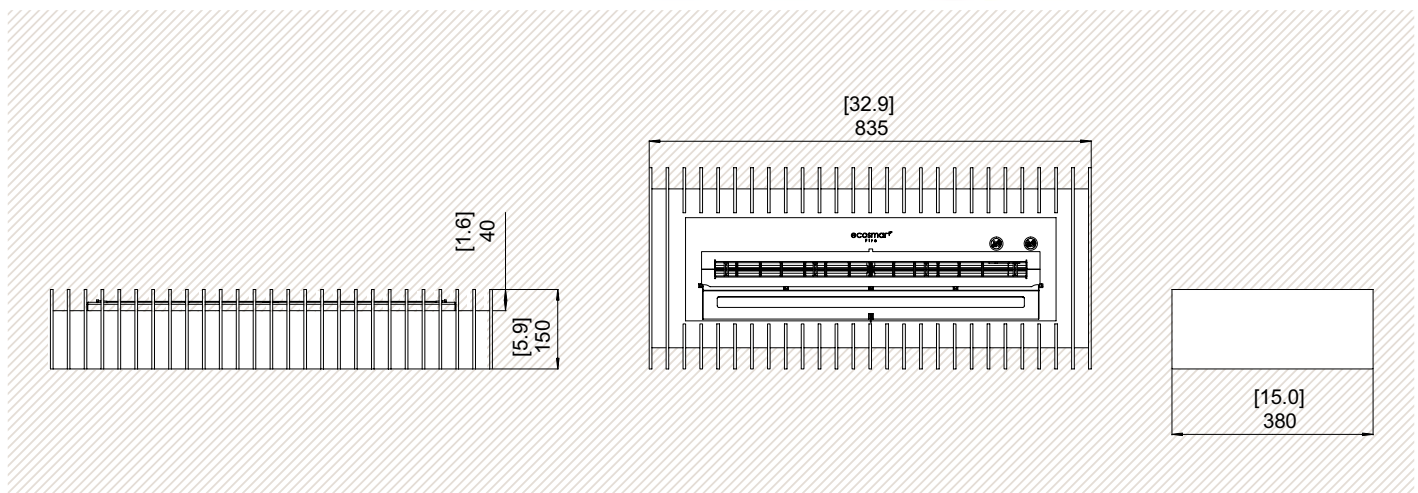
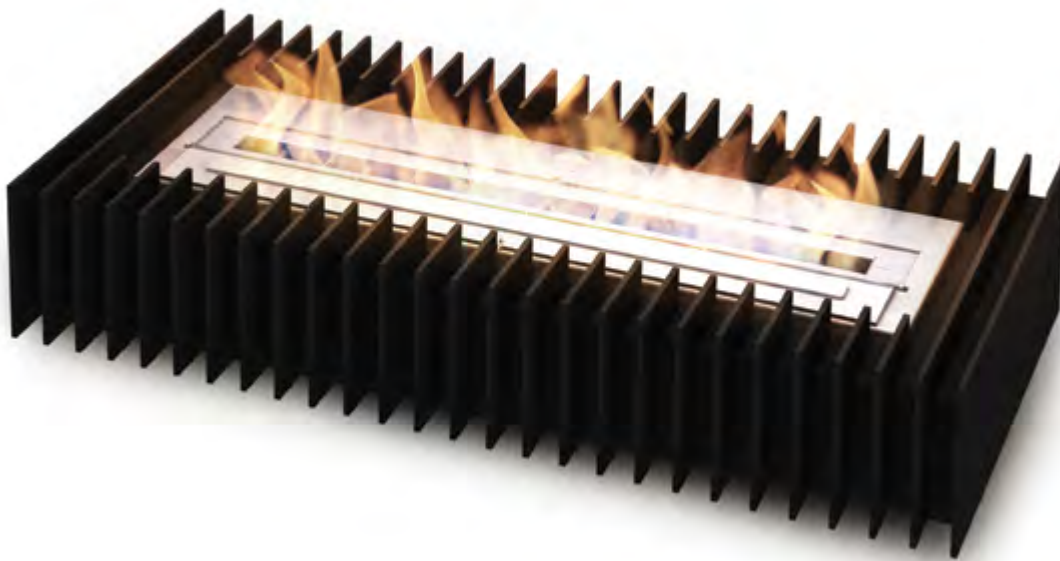
**BURNER INFORMATION**

<b>Compatible Burner</b>	XL700
<b>Fuel Type</b>	Bioethanol
<b>Volume Capacity</b>	7 Litres [1.8 Gallons]
<b>Heats on Average</b>	Over 50m <sup>2</sup> [538ft <sup>2</sup> ] When used indoors.

**Approx. Burn Time** 9 - 12 hours\*

\*The efficiency data outlined above is indicative only and may vary depending on the model purchased, weather conditions, installation and bioethanol used.

**Ventilation** The room cannot be less than 90m<sup>3</sup> [3178ft<sup>3</sup>] per burner.



Disclaimer: All product specifications and data are subject to change without notice and believed to be correct at the time of publication. The Fire Company Pty Ltd (TFC), its affiliates, agents, and employees, and all persons acting on its or their behalf (collectively, "The Fire Company"), disclaim any and all liability for any errors, inaccuracies or incompleteness contained herein or in any other disclosure relating to any product. TFC disclaims any and all liability arising out of the use or application of any product described herein or of any information provided herein to the maximum extent permitted by law. The product specifications do not expand or otherwise modify TFC P/L's terms and conditions of purchase, including but not limited to the warranty expressed therein, which apply to these products. No license, express or implied, by estoppel or otherwise, to any intellectual property rights is granted by this document or by any conduct of TFC. Customers using or selling TFC products not expressly indicated for use in such applications do so entirely at their own risk and agree to fully indemnify TFC for any damages arising or resulting from such use or sale. Please contact authorised personnel from TFC to obtain written terms and conditions regarding products designed for such applications. Images are indicative only.

## CLEARANCES

**WARNING: Ensure that your fire is positioned away from flammable materials and other sources of ignition at all times. Pay very close attention to positioning the fire away from items that may move as a result of wind and drafts. For example trees/branches/curtains/paper and the like.**

The floor must be made out of non-combustible material because any spillage on a Grate Range model can reach the floor. Note that this is more restrictive than the general requirements for other models allowing a floor of 'any material'.

EcoSmart™ Fire grates can be installed into two (2) types of settings:

A. Those that are encased by non-combustible materials similar to that which you would find in a traditional masonry set up. We refer to this installation type as **“WITHIN A FIREBOX SETTING”**.

B. Those that are not encased by non-combustible materials and set up in a more modern setting without sides or a top. We refer to this installation type as **“WITHOUT A FIREBOX SETTING”**.

Side clearances to fixed and stable furniture items that are not susceptible to movement such as lounges or patio furniture must remain a minimum of 600mm [23.6in] away from the flame at all times.

Overhead clearances to items that are susceptible to movement (e.g. Curtains/Trees) must remain a minimum of:

- Indoors: **1650mm [65in]** away from the flame at all times.
- Outdoors: **2000mm [78.7in]** away from the flame at all times.

MODELS	A. INSERTING WITHIN A FIREBOX SETTING			B. INSERTING WITHOUT A FIREBOX SETTING			
	Overhead (Y)	Rear (B2)	Front (B1)	Overhead (Y)	Rear* (B2)	Front (B1)	Sides (A)
Scope 700 Scope 500 Scope 340	600mm [23.6in]	30mm [1.2in]	45mm [1.8in]	1650mm [65in]	30mm [1.2in]	45mm [1.8in]	600mm [25.6in]
				<p><b>*Warning: The rear wall should be a non-combustible material. If the rear wall is combustible, a distance of 600mm [23.6in] must be allowed for.</b></p>			

If converting an existing fireplace, in order to keep the heat from escaping through the flue, place a panel of non-combustible heat reflective material such as stainless steel across your flue opening.

## INSTALLATION

No fixings required for Scope 700, Scope 500 & Scope 340.

Request the Clearances and Installation Manual for further information.

Disclaimer. All product specifications and data are subject to change without notice and believed to be correct at the time of publication. The Fire Company Pty Ltd (TFC), its affiliates, agents, and employees, and all persons acting on its or their behalf (collectively, "The Fire Company"), disclaim any and all liability for any errors, inaccuracies or incompleteness contained herein or in any other disclosure relating to any product. TFC disclaims any and all liability arising out of the use or application of any product described herein or of any information provided herein to the maximum extent permitted by law. The product specifications do not expand or otherwise modify TFC P/L's terms and conditions of purchase, including but not limited to the warranty expressed therein, which apply to these products. No license, express or implied, by estoppel or otherwise, to any intellectual property rights is granted by this document or by any conduct of TFC. Customers using or selling TFC products not expressly indicated for use in such applications do so entirely at their own risk and agree to fully indemnify TFC for any damages arising or resulting from such use or sale. Please contact authorised personnel from TFC to obtain written terms and conditions regarding products designed for such applications. Images are indicative only.