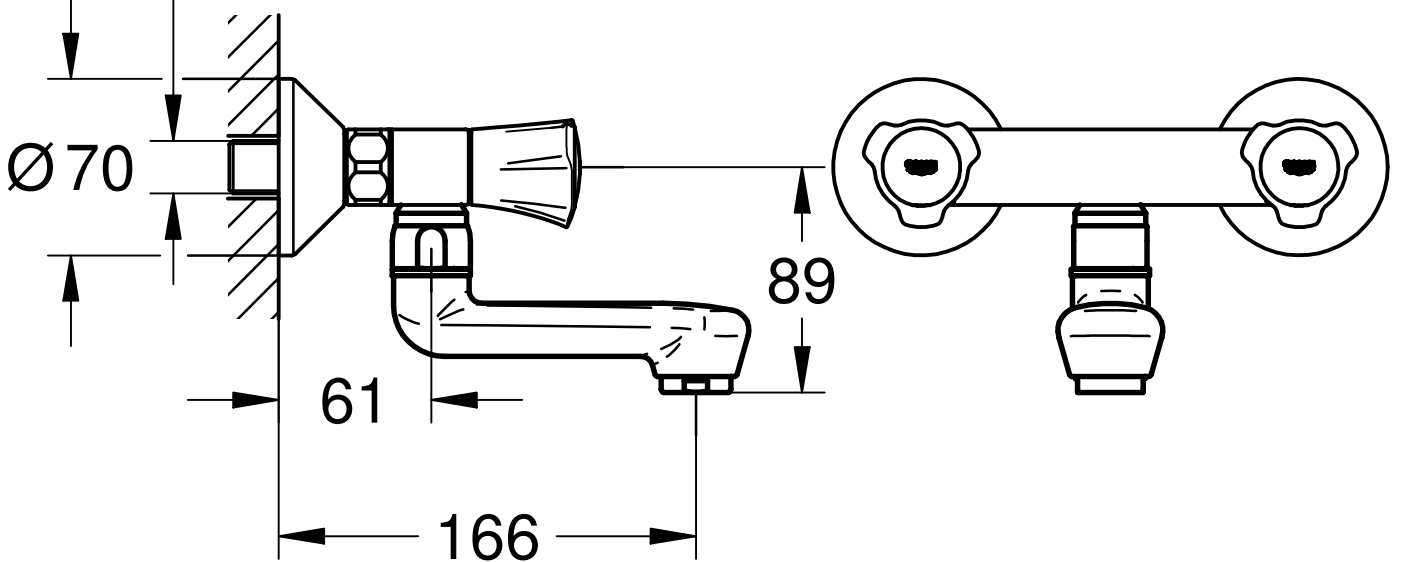


PJ1/2



| | | | | | | | |
|-----------------|-----------------------|------------------------|--|--------------------|--|---|--|
| Maßstab / Scale | ÄM-Nr. / ECN | 218960 | | | Grohe Water Technology AG & Co. KG Hauptstraße 137 D-58675 Hemer Tel. 02372 / 93-0 |  | |
| 1:3 | Datum / Date | 11.11.2010 | | | | | |
| | Verantw. / Respons | Ziebell | | Copyright reserved | | | |
| | Geprüft / Approved | Weil | | | | | |
| Status | Benennung / Title | 2LB,WAS- BATH MIXER | | | | Zeichnung Nr. / Drawing No.: JP257700 | |
| | Prod.-No. + variants: | JP257700 2633010J | | | | TPI-Referenz / TPI-Reference: mjp257700_2633010j_3a | |