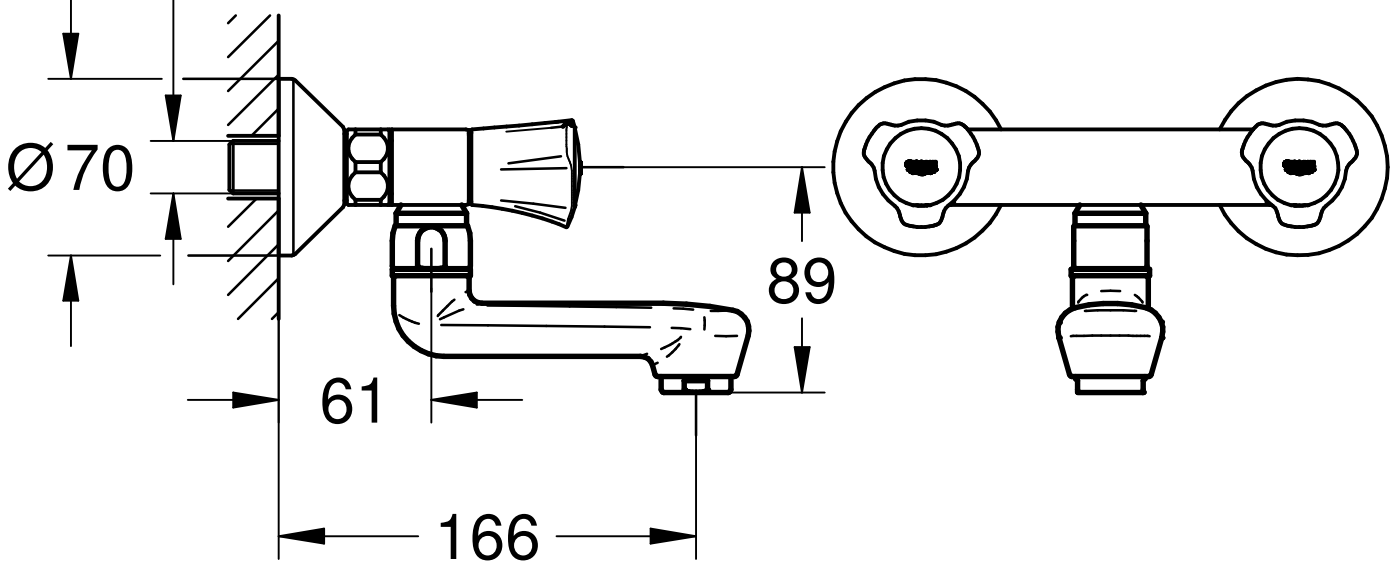


PJ1/2



Maßstab / Scale	ÄM-Nr. / ECN				Grohe Water Technology AG & Co. KG HauptstraÙ137 D-58675 Hemer Tel. 02372 / 93-0		
1:3	Datum / Date	2.12.2021					
	Verantw. / Respons	Sekine		Copyright reserved			
Status	Geprüft / Approved	Matsumoto				Zeichnung Nr. / Drawing No.: JP257701	
	Benennung / Title	2LB,WAS- BATH MIXER					TPI-Referenz / TPI-Reference: JP257701_2633010j_3a
	Prod.-No. + variants:	JP257701 2633010J					