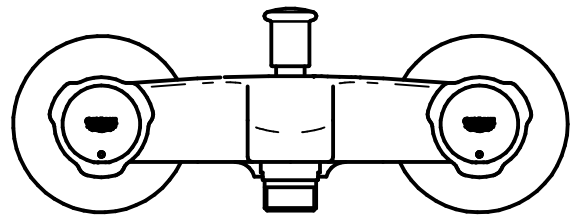
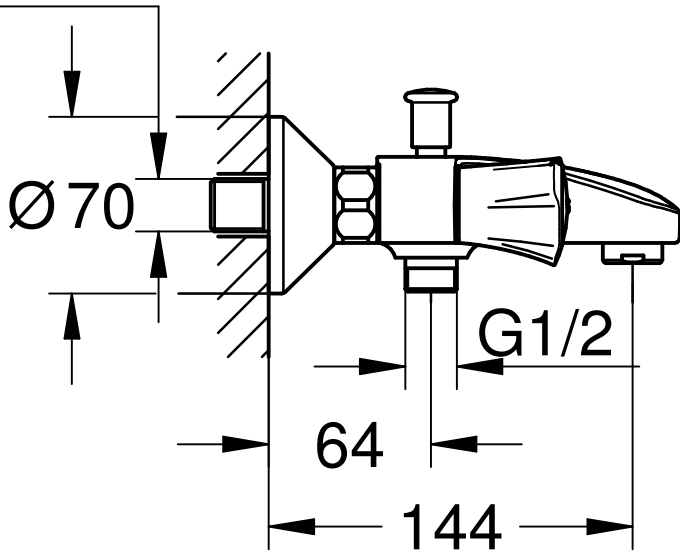


PJ1/2



Maßstab / Scale	ÄM-Nr. / ECN				Grohe Water Technology AG & Co. KG Hauptstraße 137 D-58675 Hemer Tel. 02372 / 93-0		
1:3	Datum / Date	14.2021					
	Verantw. / Respons	Sekine		Copyright reserved			
Status	Geprüft / Approved	Matsumoto			Zeichnung Nr. / Drawing No.:	JP320500	
	Benennung / Title	2LB,WA/BRS- BATH/SHOWER MIXER					
	Prod.-No. + variants:	JP320500				TPI-Referenz / TPI-Reference:	JP320500_2545010j_3a